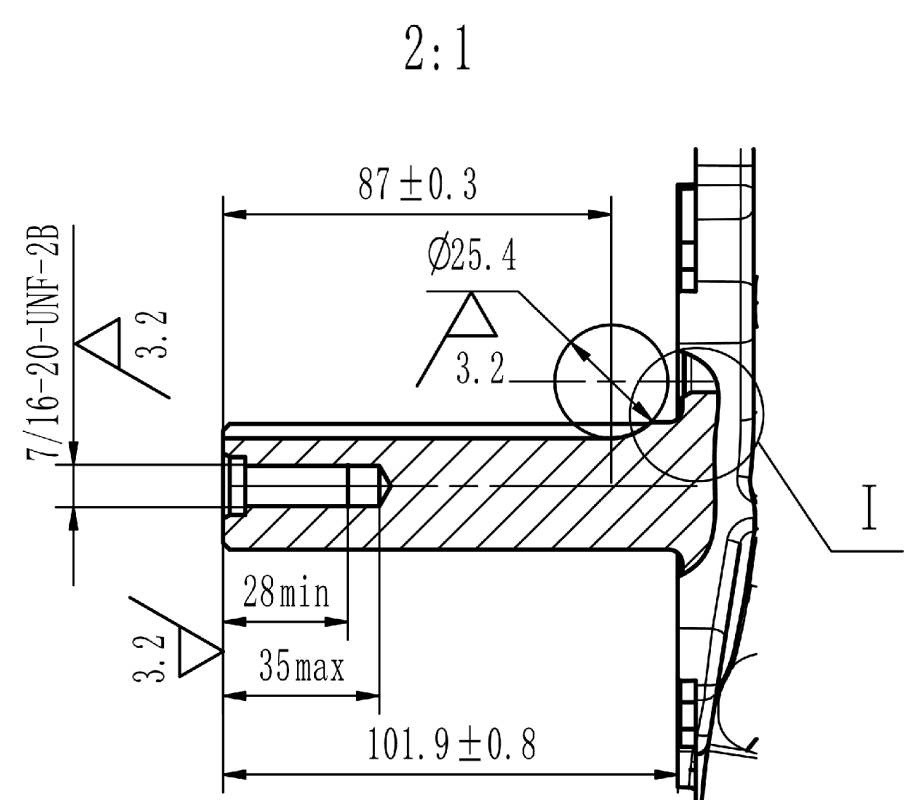
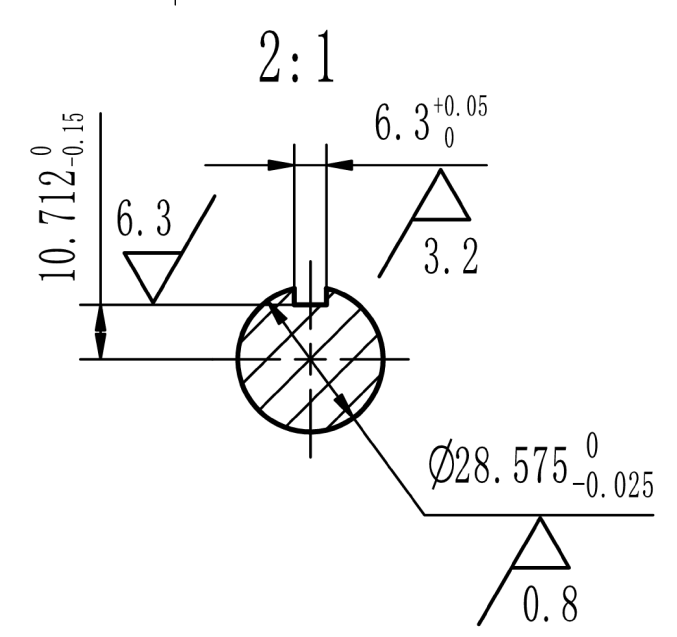
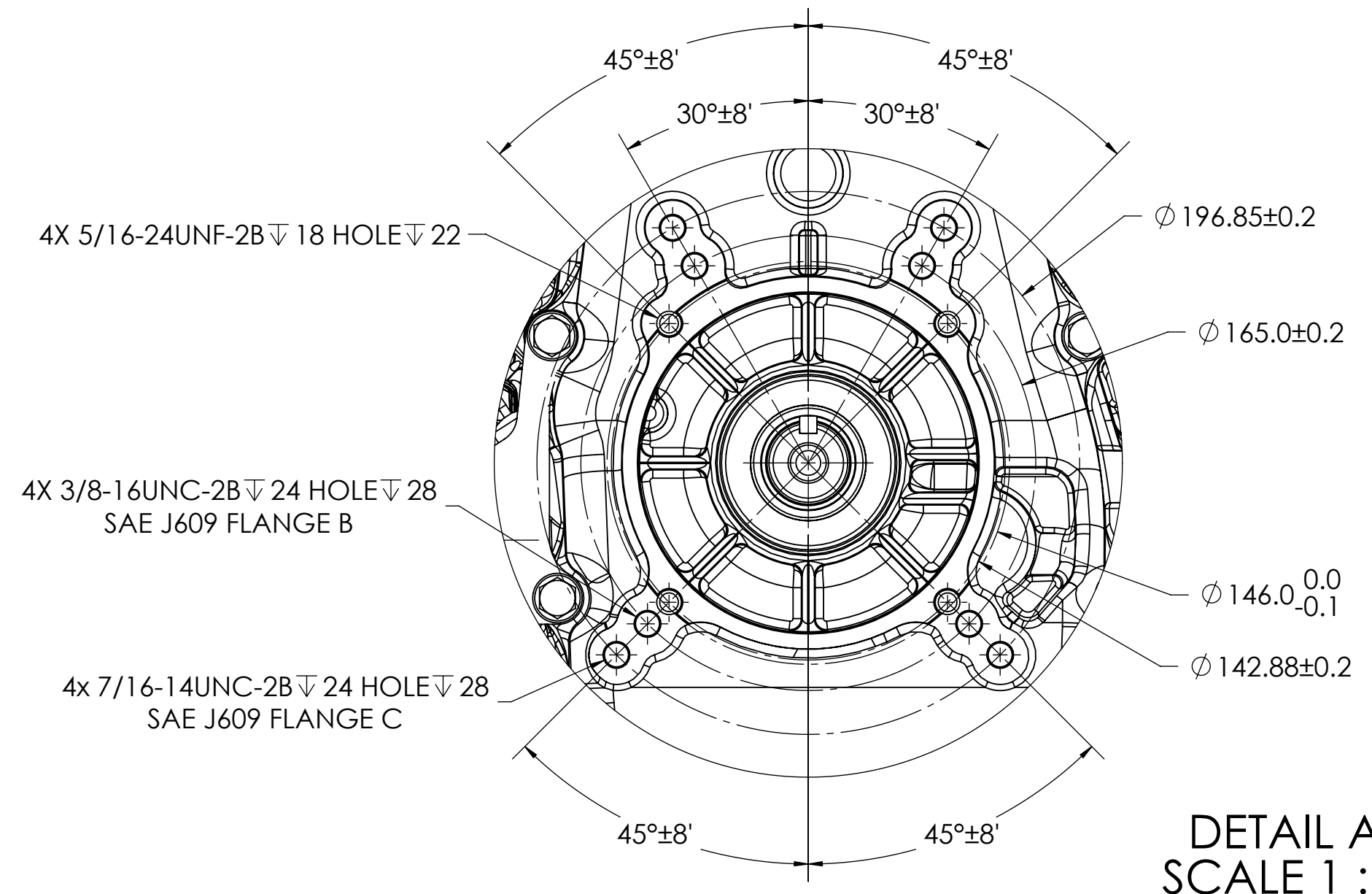
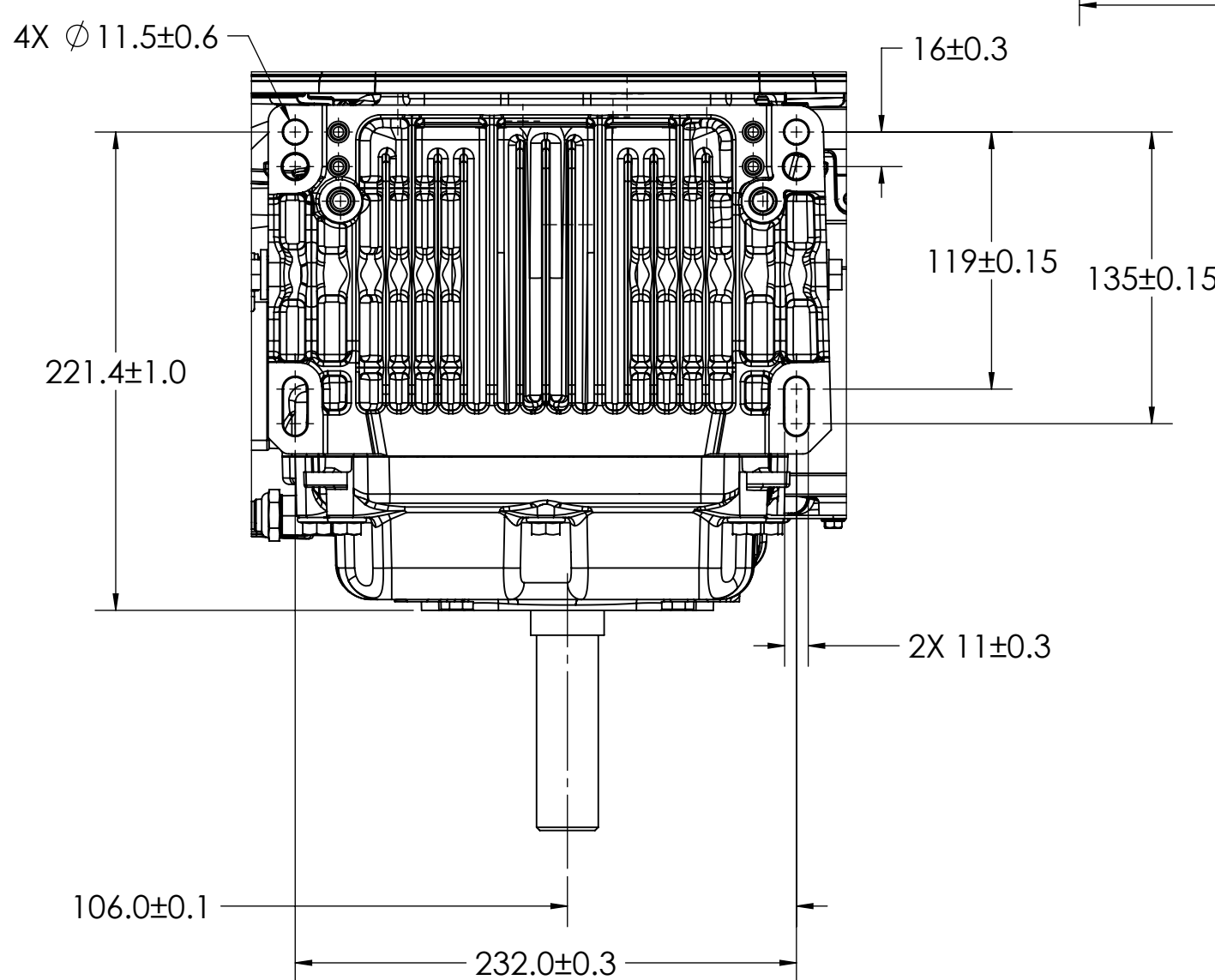
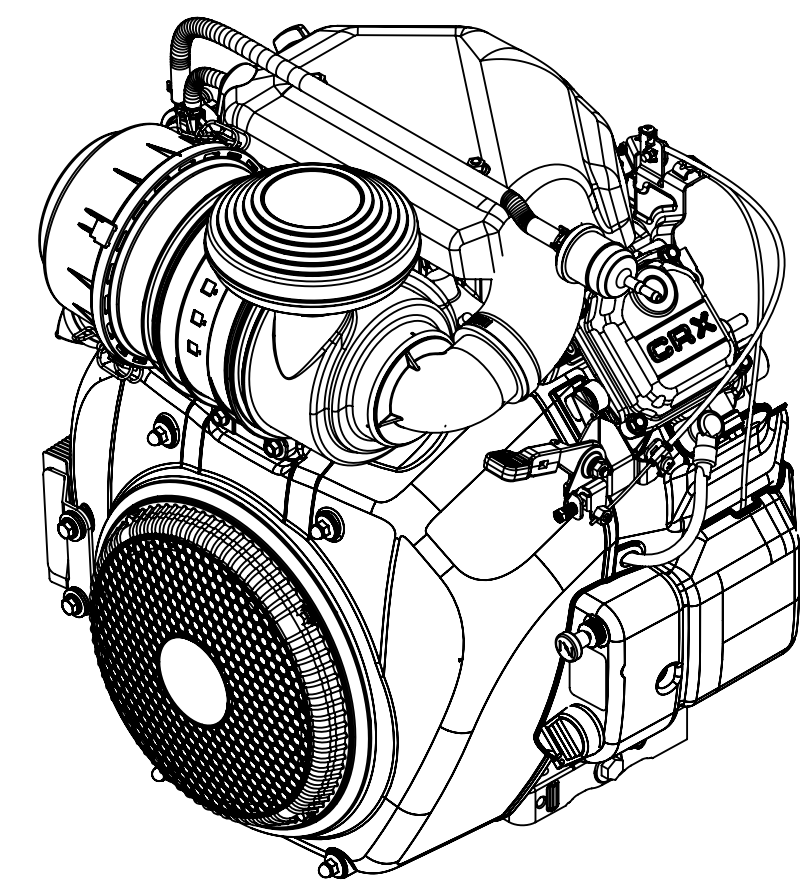
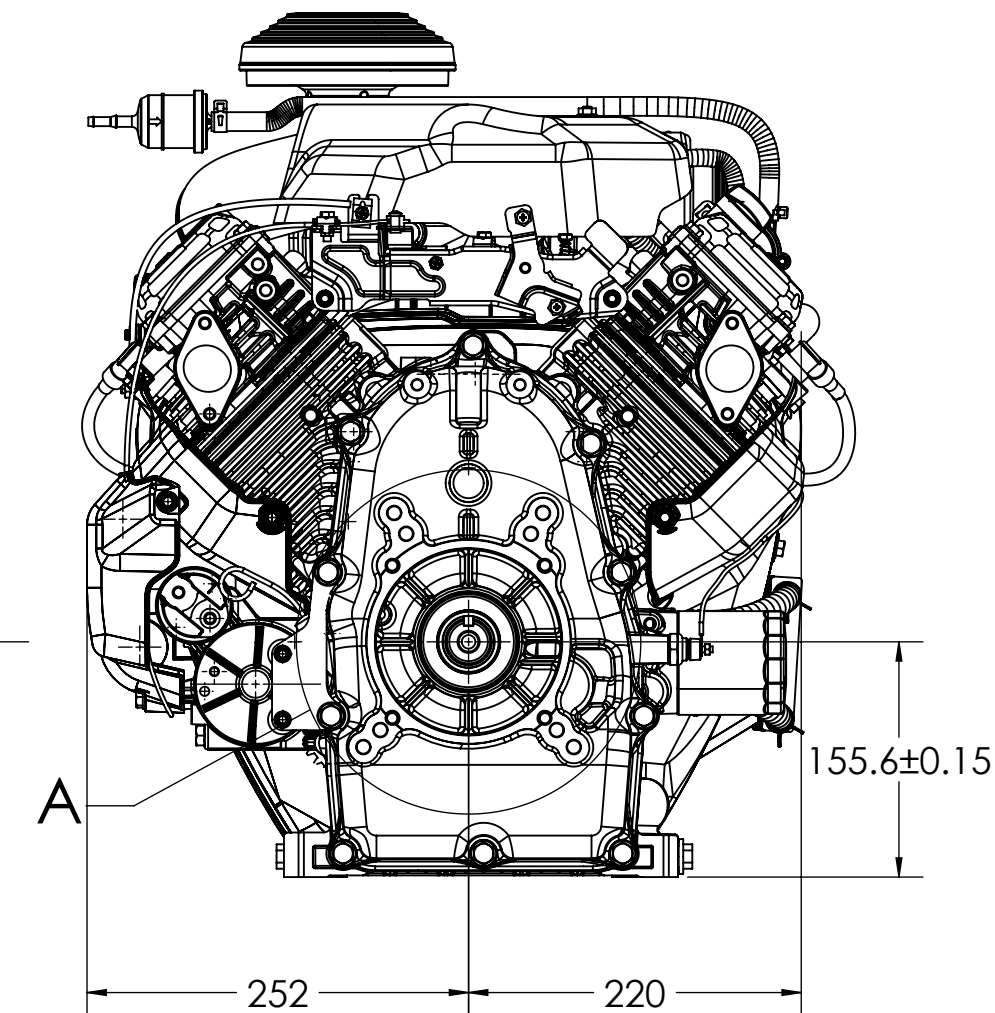
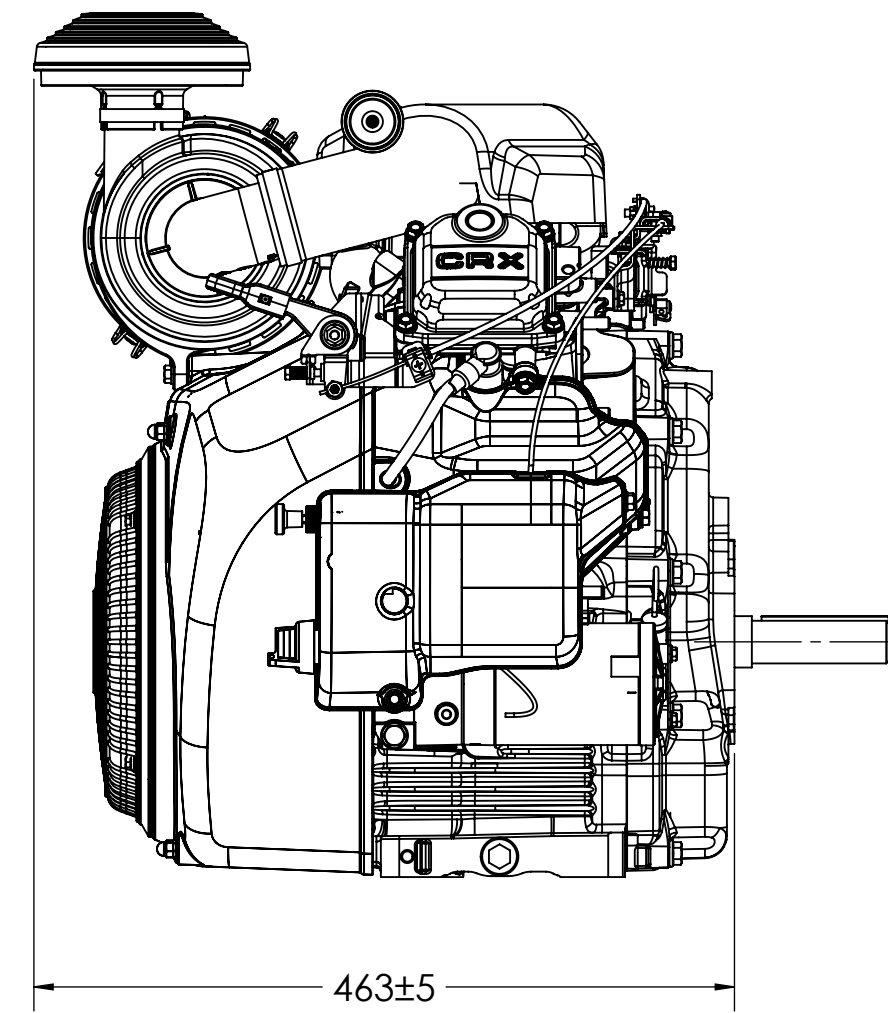
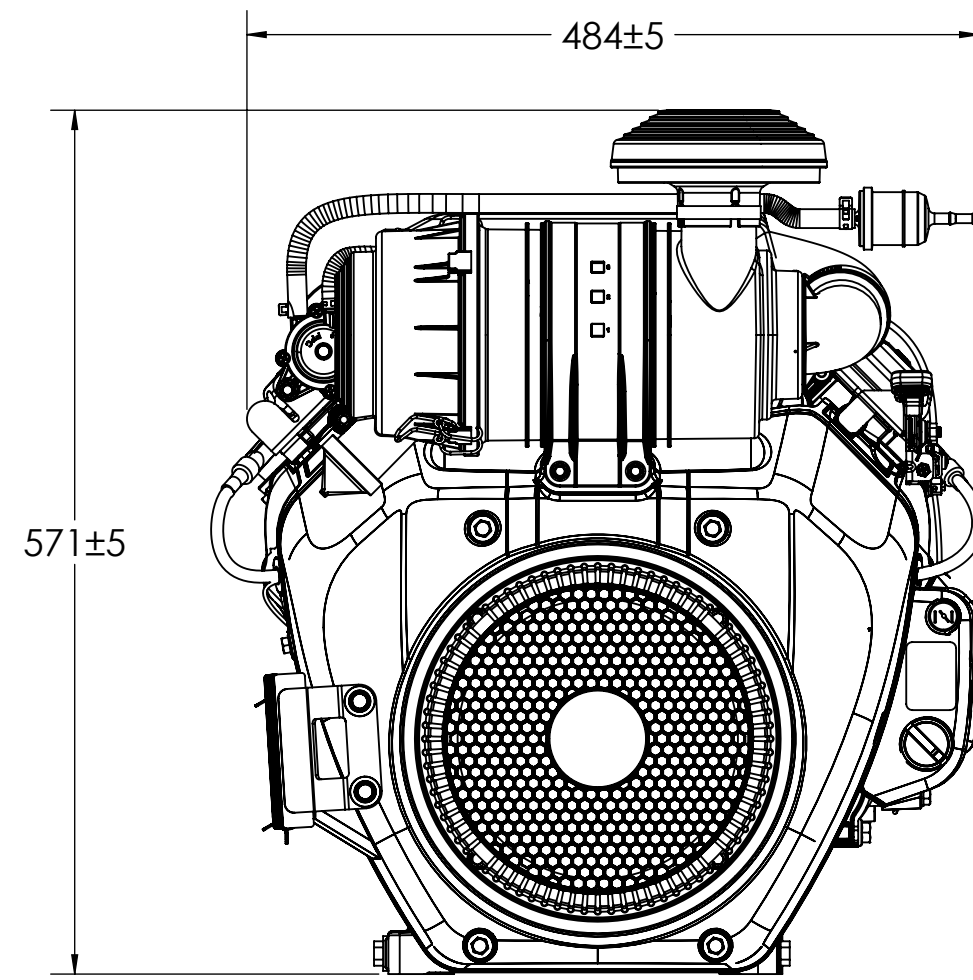


CRX1000 REVA 1

ITEM	FNA PARTS NO.	KIT DESCRIPTION	QTY	MATCH
1	7119418	CYLINDER HEAD BAFFLE KIT/RIGHT	1	110215
2	7119419	CYLINDER HEAD BAFFLE KIT/MIDDLE	1	110215
3	7119420	CYLINDER HEAD BAFFLE KIT/LEFT	1	110215
4	7119421	INTAKE MANIFOLD KIT	1	110215
5	7119422	IGNITION MODULE KIT/LEFT	1	110215
6	7119423	IGNITION MODULE KIT/RIGHT	1	110215
7	7119424	FUEL PUMP KIT	1	110215
8	7119425	RECTIFIER ASSY. KIT	1	110215
9	7119426	CHARGING COIL KIT	1	110215
10	7119427	CRANKCASE COVER KIT	1	110215
11	7118216	OIL FILTER	1	110215
12	7119428	OIL RADIATOR ASSY KIT	1	110215
13	7119429	GASKET KIT	1	110215
14	7119430	OIL SEAL AND BEARING KIT	1	110215
15	7119431	SHROUD COVER KIT W/HARDWARE	1	110215
16	7119432	BLOWER HOUSING KIT	1	110215
17	7119433	COOLING FAN KIT	1	110215
18	7119434	FLY WHEEL KIT	1	110215
19	7118173	OIL DRAIN PLUG KIT	1	110215
20	7119435	SHORT BLOCK KIT	1	110215
21	7119437	CONNECTING ROD KIT	1	110215
23	7119441	CARBURETOR KIT	1	110215
24	7119442	AIR FILTER ASSEMBLY	1	110215
25	7119443	CYLINDER HEAD KIT/ RIGHT	1	110215
26	7119444	CYLINDER HEAD KIT/ LEFT	1	110215
27	7119445	OIL SENSOR KIT	1	110215
28	7119446	THROTTLE LINKAGE KIT	1	110215
29	7119447	GOVERNOR KIT	1	110215
30	7119448	GOVERNOR SPRING KIT	1	110215
31	7119449	IGNITION KEY SWITCH KIT	1	110215
32	7119450	ELECTRIC STARTING KIT	1	110215
33	7119451	VALVE COVER KIT/ RIGHT	1	110215
34	7119452	VALVE COVER KIT/ LEFT	1	110215
35	7119453	CAMSHAFT	1	110215
36	7119454	THROTTLE GOVERNOR LEVER KIT	1	110215
37	7119455	GOVERNOR SHIELD KIT	1	110215
38	7119456	PISTON RING SET	2	110215

39	7119457	OIL RADIATOR/COOLER	1	110215
40	7119458	OIL FILL CAP	1	110215
41	7118187	SPARK PLUG	2	110215
42	7119482	AIR FILTER COVER KIT	1	110215
43	7119475	AIR FILTER KIT	1	110215
44	7119484	COURSE FILTER	1	110215
45	7119485	FINE FILTER	1	110215
46	7119486	ENGINE AIR FILTER ACSESS END CAP	1	110215
47	7119487	DUCKBILL VALVE CAP	1	110215
48	7119492	ELECTROMAGNETIC RELAY	1	110215
49	7119476	DIPSTICK	1	110215
50	7119477	CHOKE LOCK	1	110215
51	7119483	SWITCH LOCK	1	110215
52	7119493	OIL SENSOR KIT/CONTROL BOX	1	110215

REV		DESCRIPTION	ECN#	BY	CHECK	APPROVE	DATE
A		INITIAL DRAWING RELEASE					



DETAIL A  
SCALE 1 : 2

THIRD ANGLE PROJECTION UNLESS OTHERWISE SPECIFIED: DIMENSIONS ARE IN MM TOLERANCES: X ± 2.5 .X ± 0.76 .XX ± 0.25 ANGULAR: ± 1° BEND: ± 1° ALL MACHINED SURFACES: 3.2 INTERPRET GEOMETRIC TOLERANCING PER LATEST: ASME Y14.5M DO NOT SCALE DRAWING	<b>FNA-GROUP</b> 7152 99th Street, Pleasant Prairie, WI 53158 <b>PROPRIETARY AND CONFIDENTIAL</b> THE INFORMATION CONTAINED IN THIS DRAWING IS THE SOLE PROPERTY OF FNA- GROUP. ANY REPRODUCTION IN PART OR AS A WHOLE WITHOUT THE WRITTEN PERMISSION OF FNA-GROUP IS PROHIBITED. WEIGHT: 54000g MATERIAL:	DESCRIPTION: <b>CRX1000, GENERAL          PURPOSE, NO MUFFLER</b>	DWG. NO. <b>2698504CUST</b>	REV: <b>A</b>
		BREAK ALL SHARP EDGES AND REMOVE BURRS	1 OF 1	